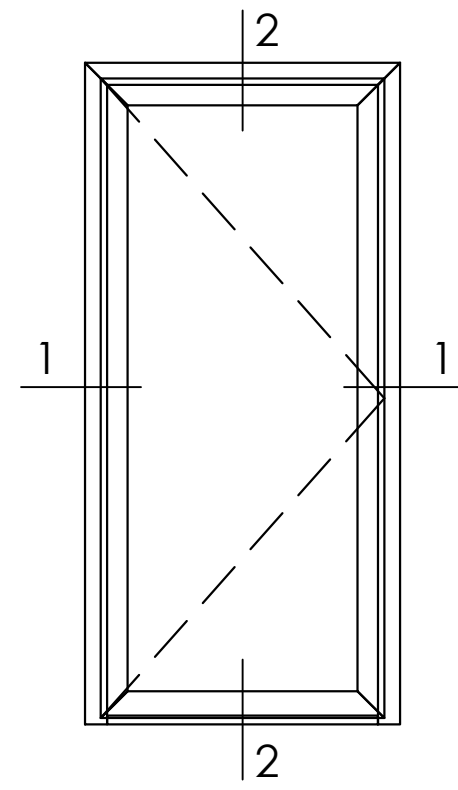


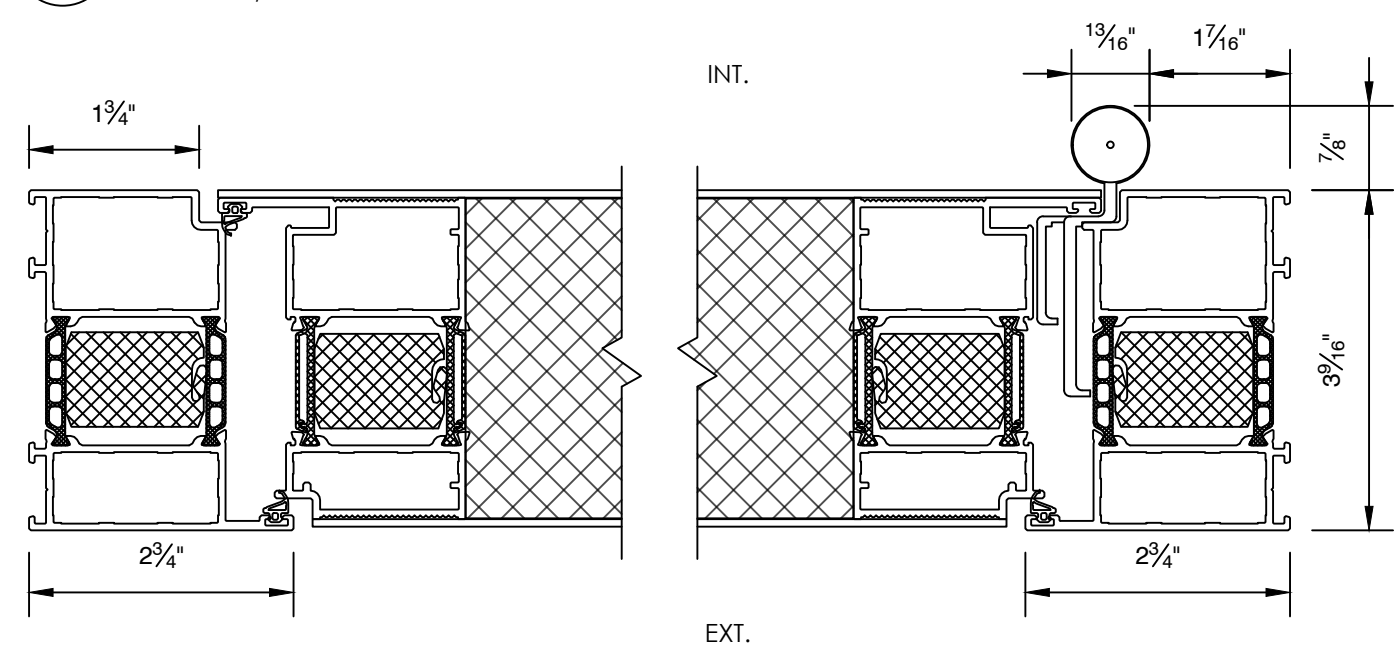
IN-SWING SINGLE DOOR



(VIEW FROM EXTERIOR)

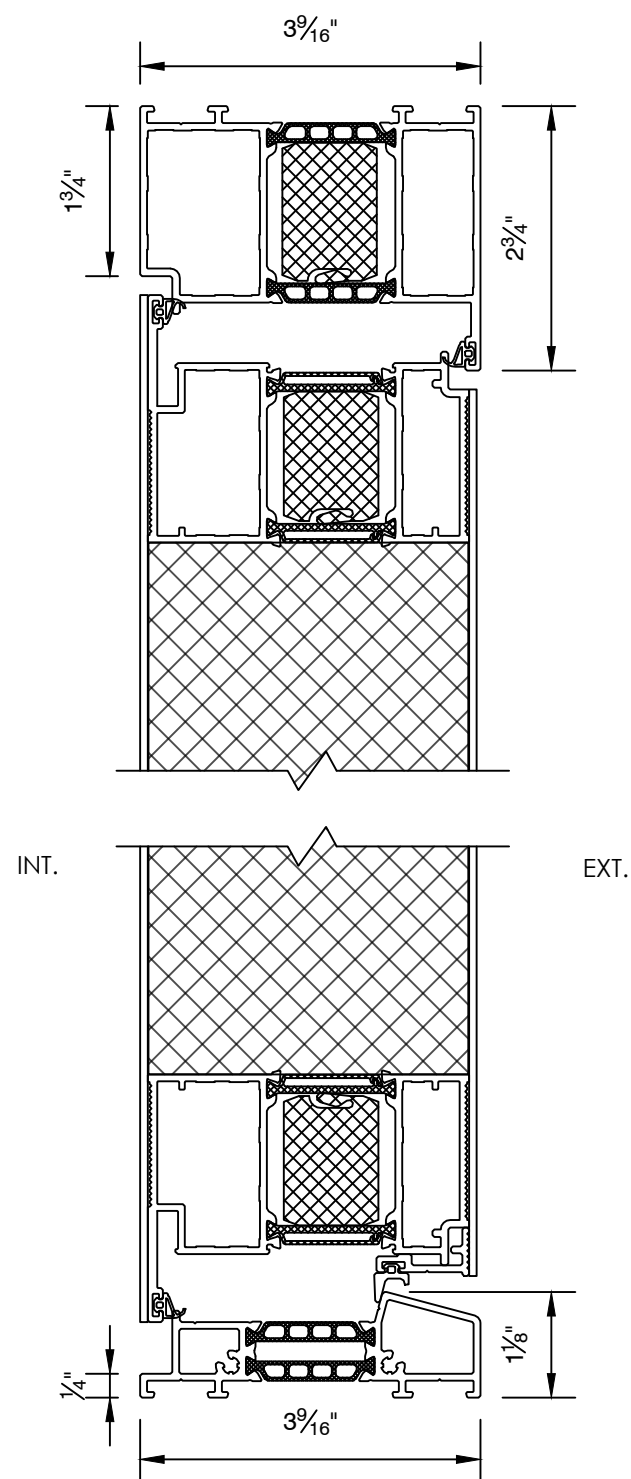
ELEVATION

SCALE: 1/2" = 1'-0"



1 JAMB DETAIL

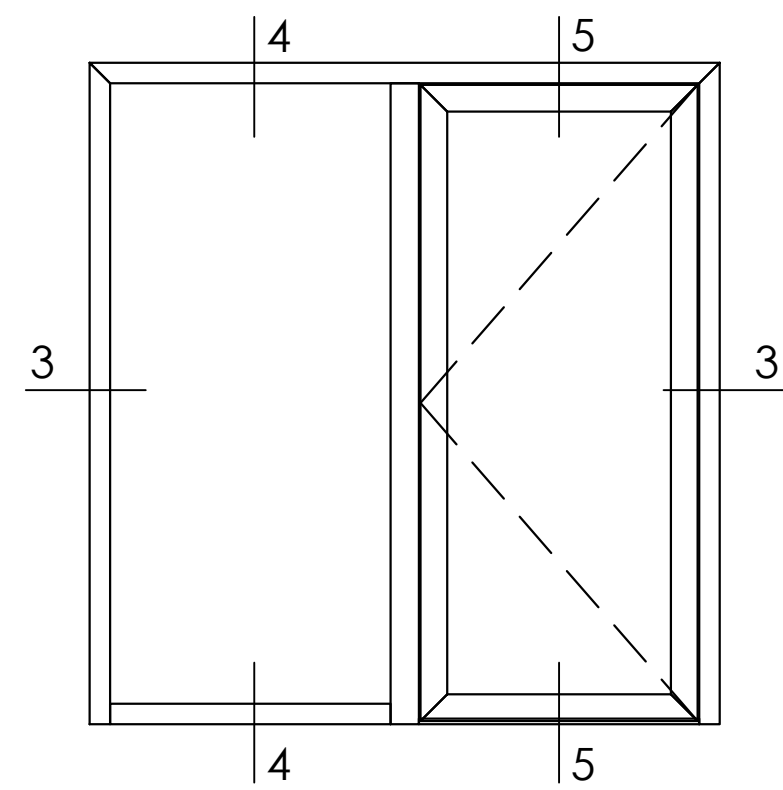
SCALE: 6" = 1'-0"



2 HEAD/THRESHOLD DETAIL

SCALE: 6" = 1'-0"

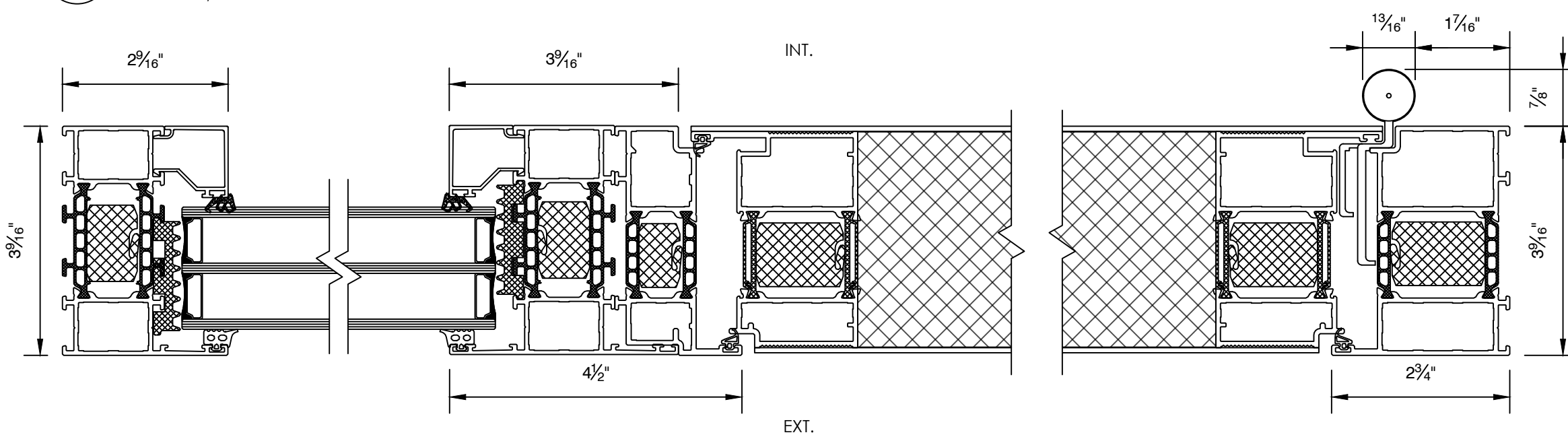
IN-SWING SINGLE DOOR



(VIEW FROM EXTERIOR)

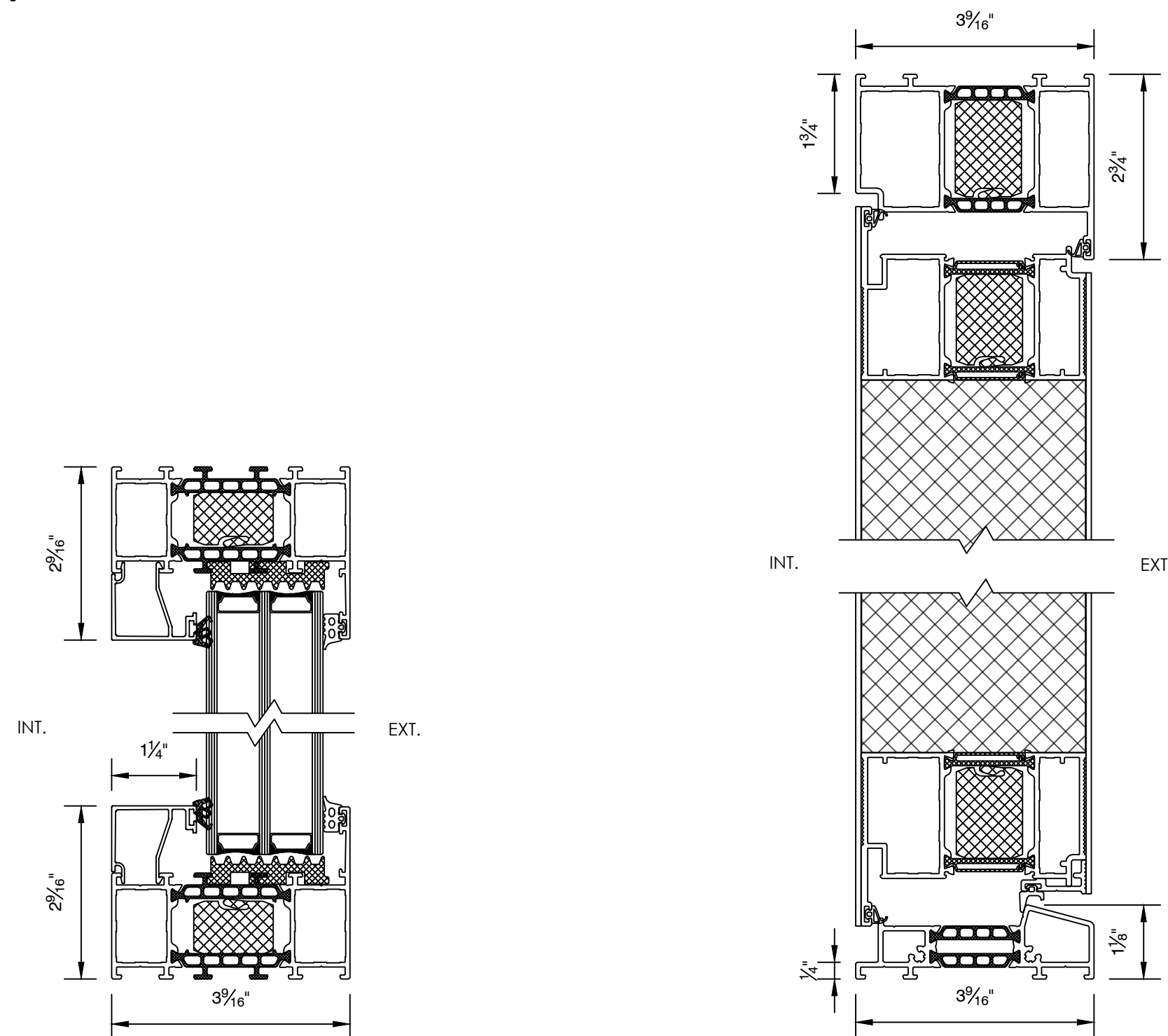
ELEVATION

SCALE: 1/2" = 1'-0"



3 JAMB DETAIL

SCALE: 6" = 1'-0"



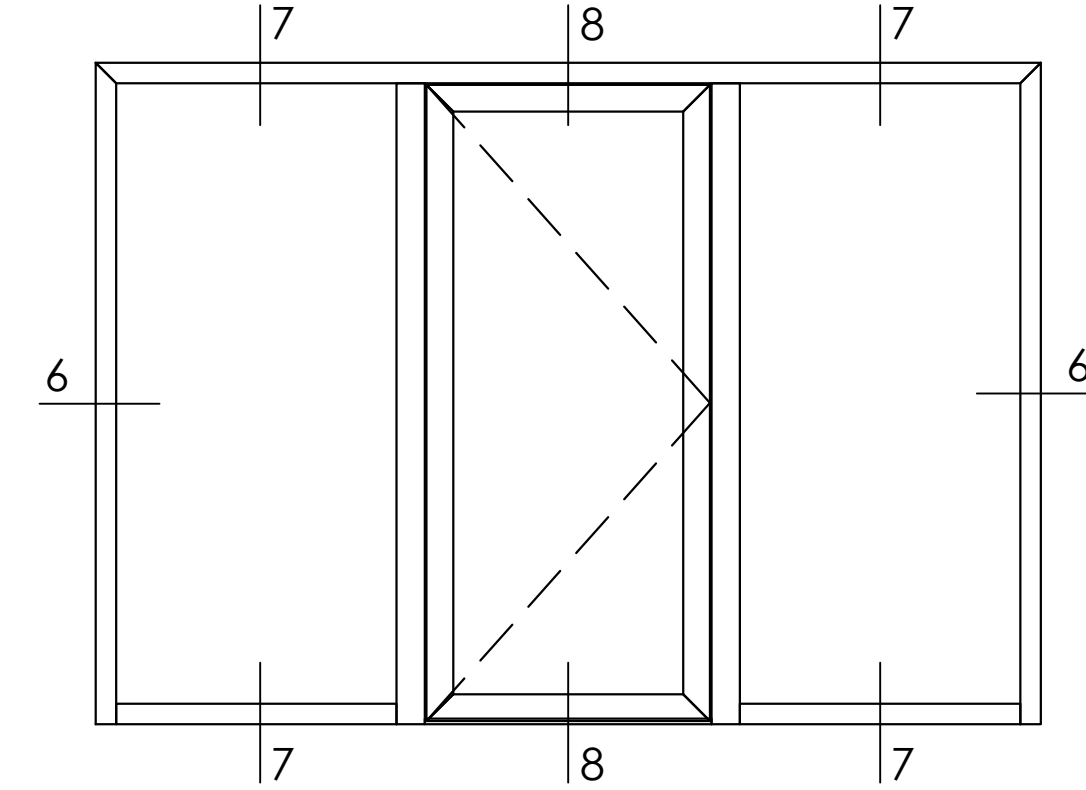
4 HEAD/SILL DETAIL

SCALE: 6" = 1'-0"

5 HEAD/THRESHOLD DETAIL

SCALE: 6" = 1'-0"

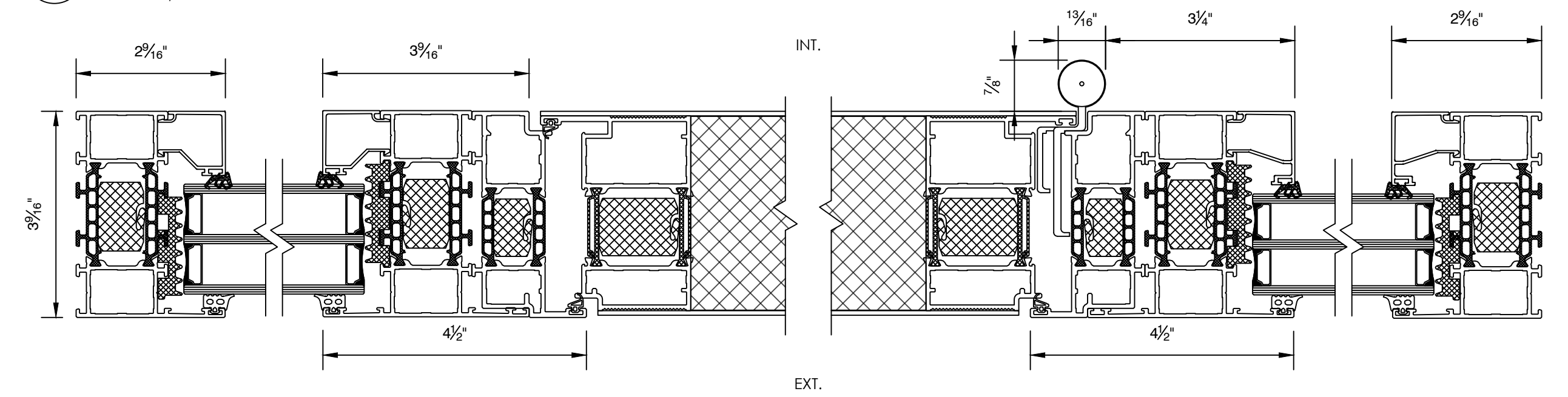
IN-SWING SINGLE DOOR



(VIEW FROM EXTERIOR)

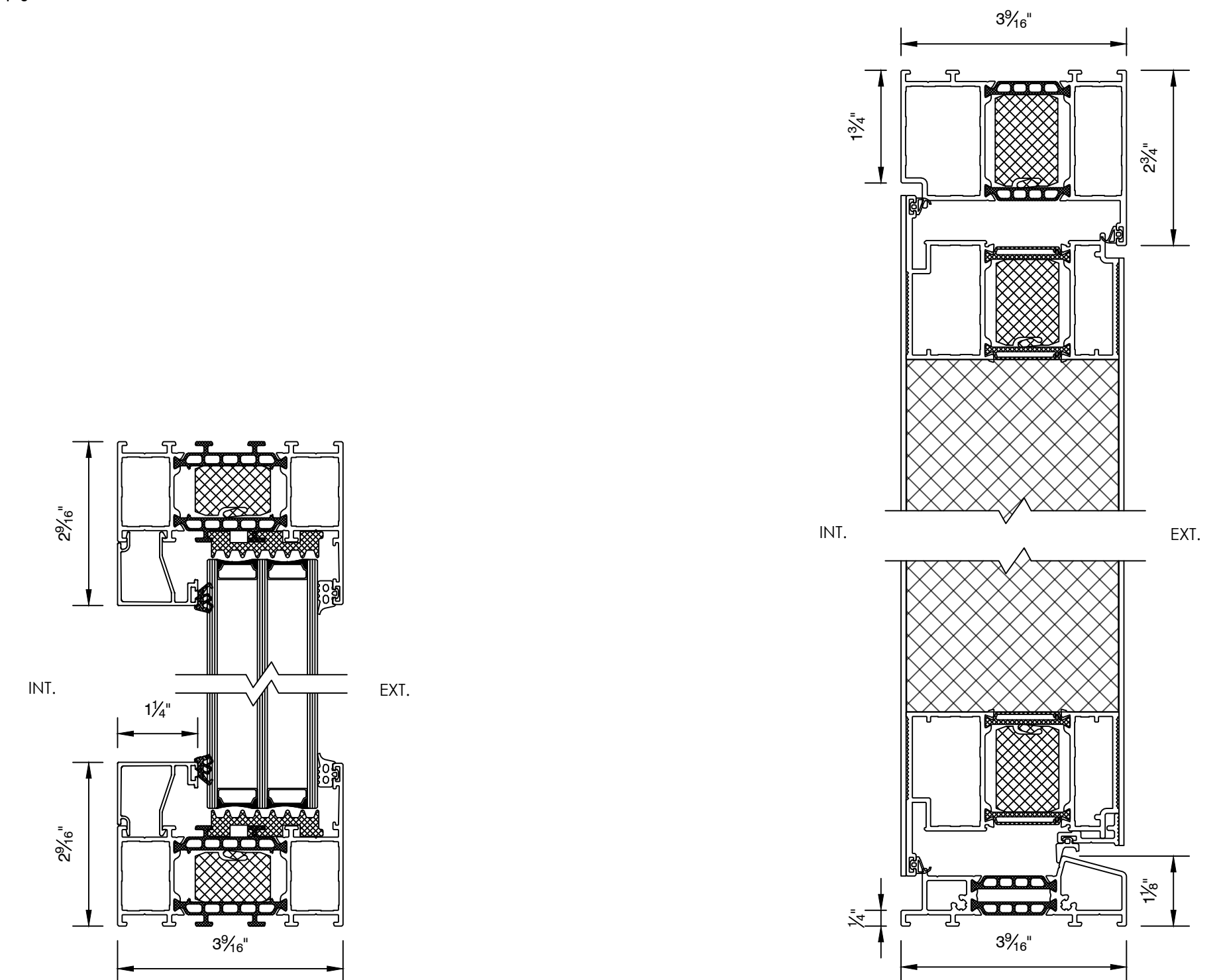
ELEVATION

SCALE: 1/2" = 1'-0"



6 JAMB DETAIL

SCALE: 6" = 1'-0"



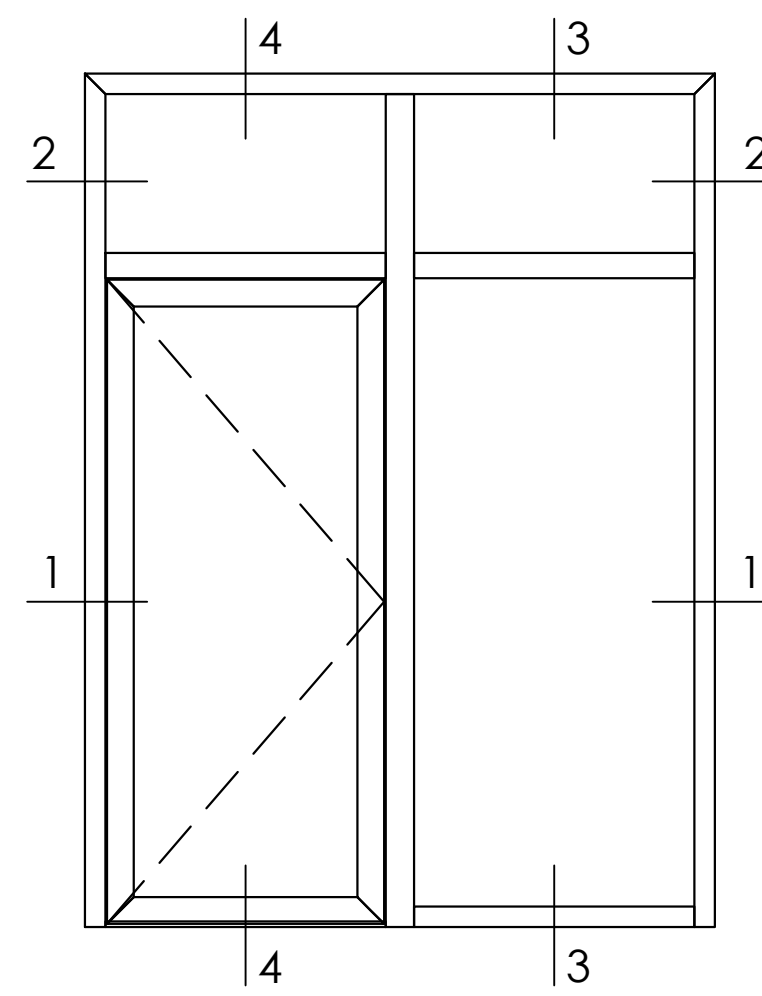
7 HEAD/SILL DETAIL

SCALE: 6" = 1'-0"

8 HEAD/THRESHOLD DETAIL

SCALE: 6" = 1'-0"

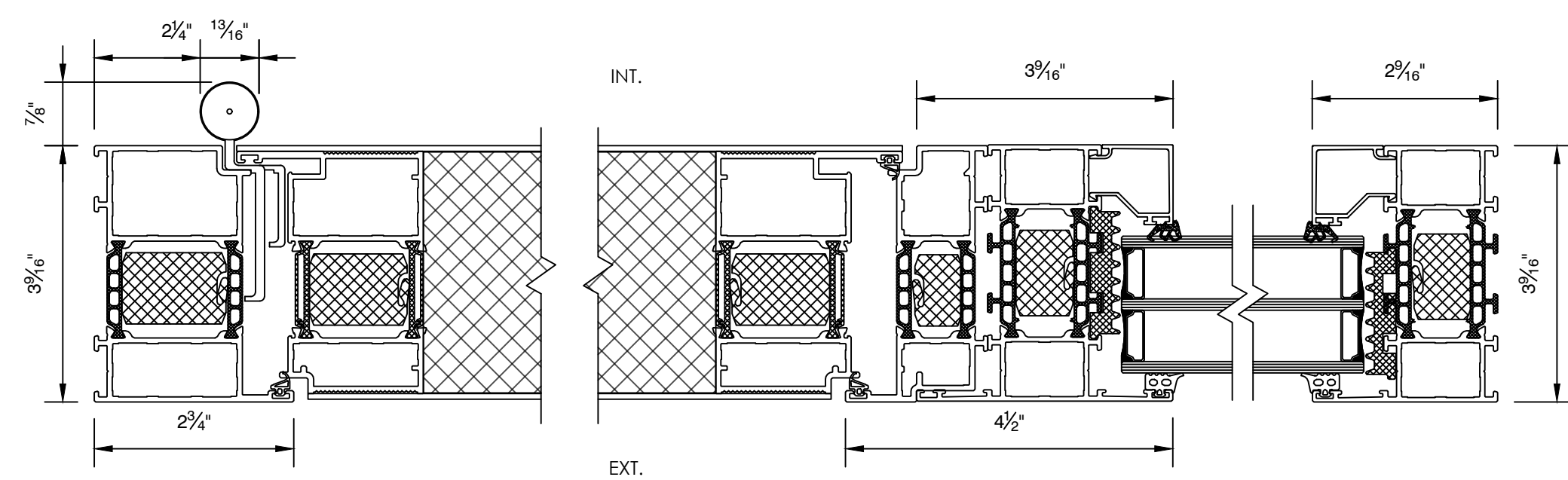
IN-SWING SINGLE DOOR



(VIEW FROM EXTERIOR)

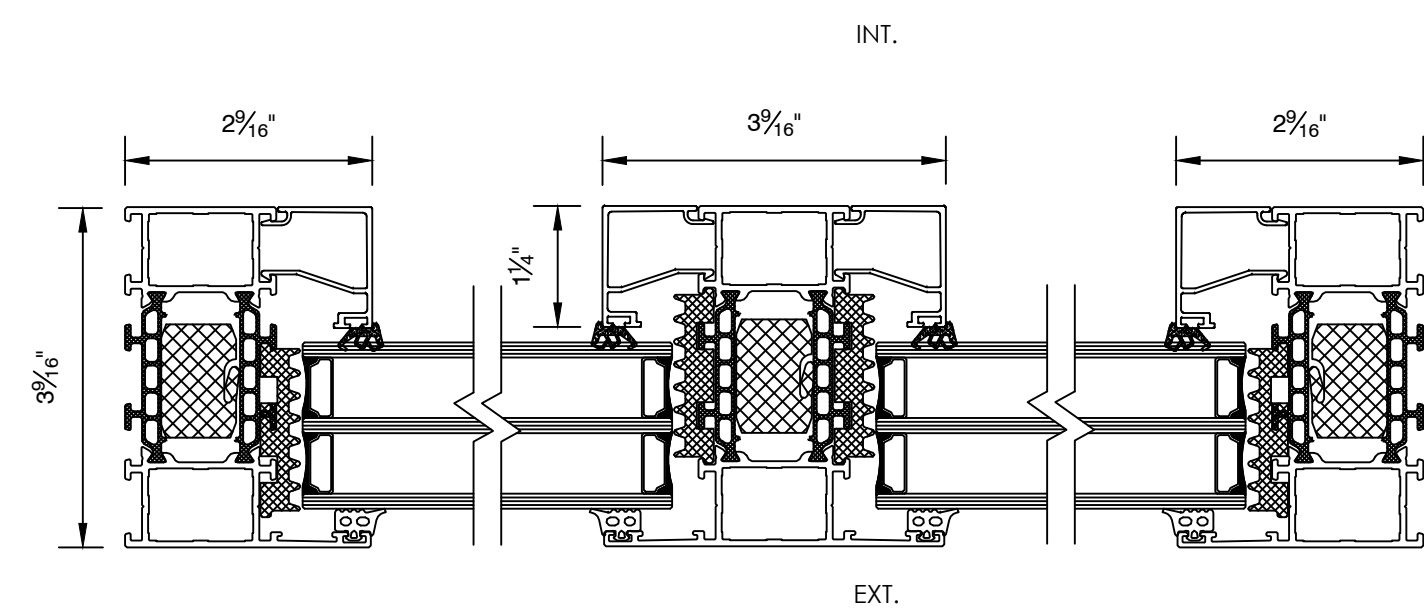
ELEVATION

SCALE: 1/2" = 1'-0"



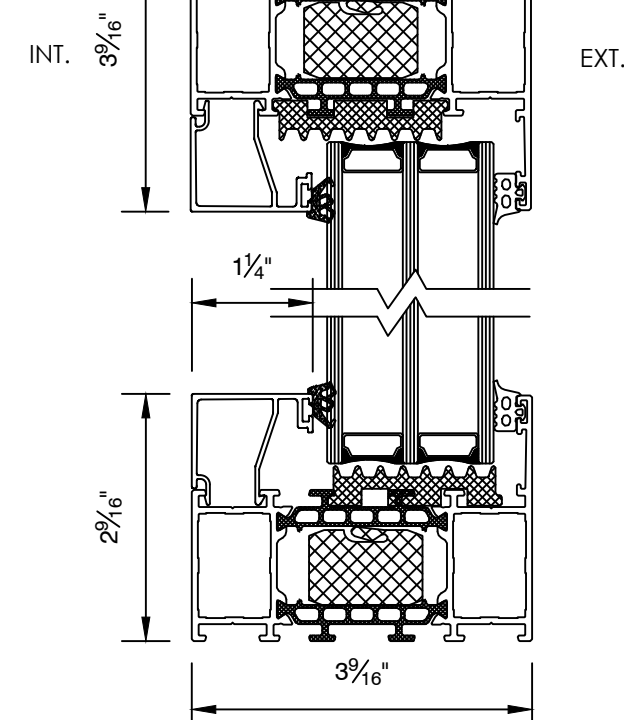
1 JAMB DETAIL

SCALE: 6" = 1'-0"



2 JAMB DETAIL

SCALE: 6" = 1'-0"

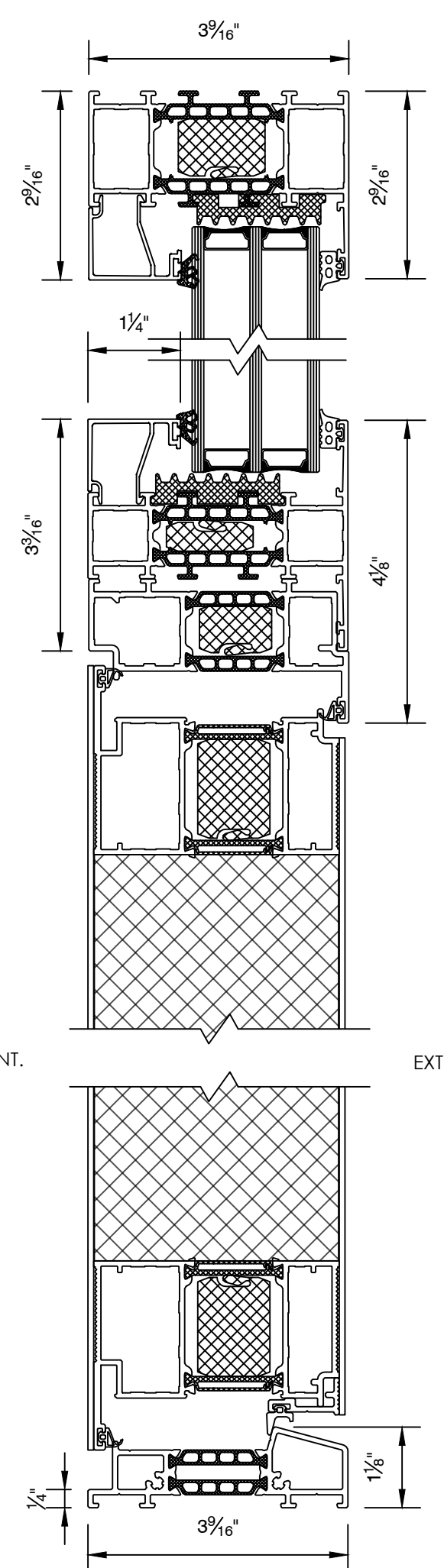


3 HEAD/SILL DETAIL

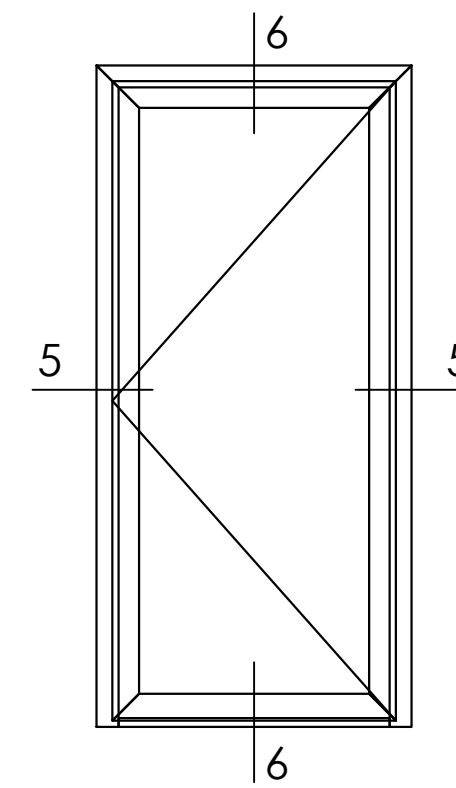
SCALE: 6" = 1'-0"

4 HEAD/THRESHOLD DETAIL

SCALE: 6" = 1'-0"



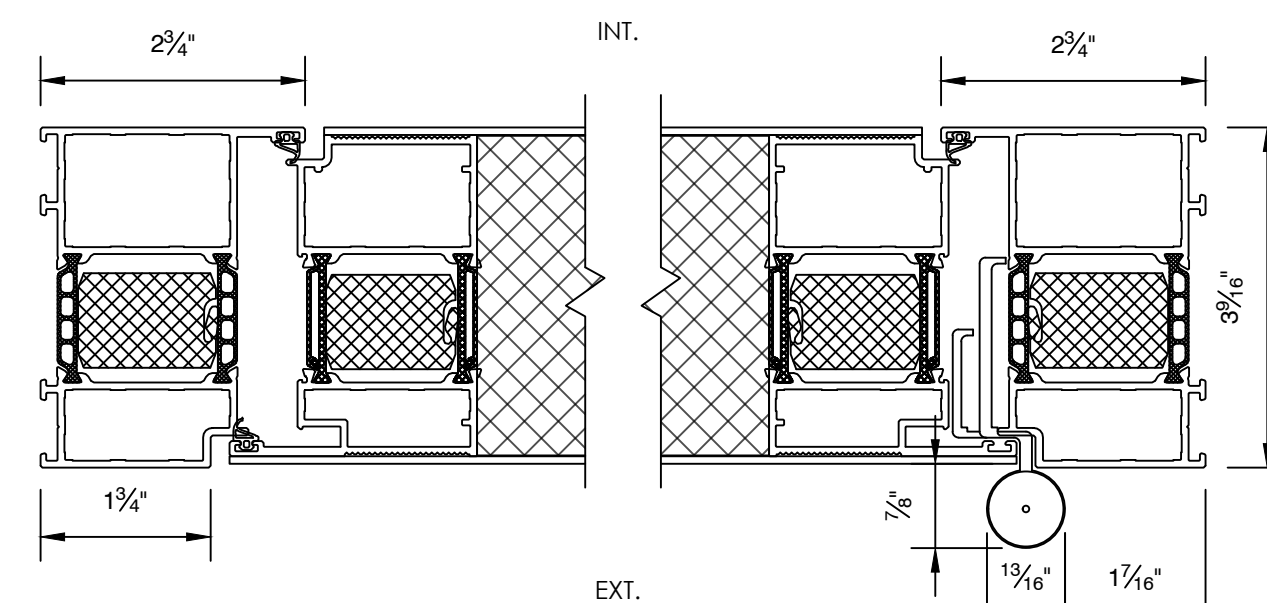
OUT-SWING SINGLE DOOR



(VIEW FROM EXTERIOR)

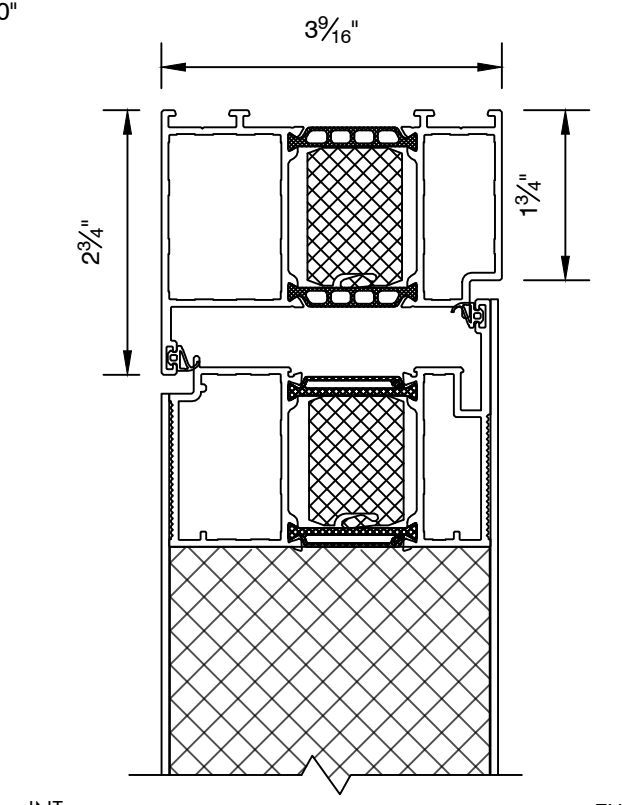
ELEVATION

SCALE: 1/2" = 1'-0"



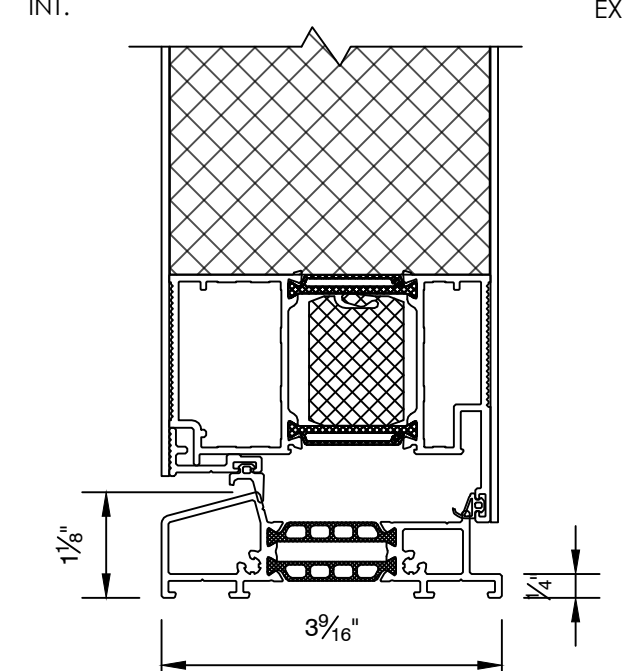
1 JAMB DETAIL

SCALE: 6" = 1'-0"

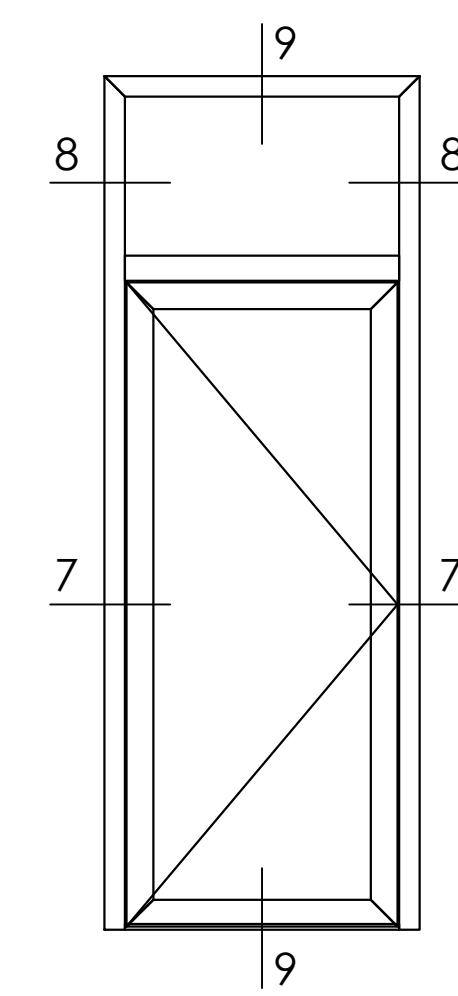


2 HEAD/THRESHOLD DETAIL

SCALE: 6" = 1'-0"



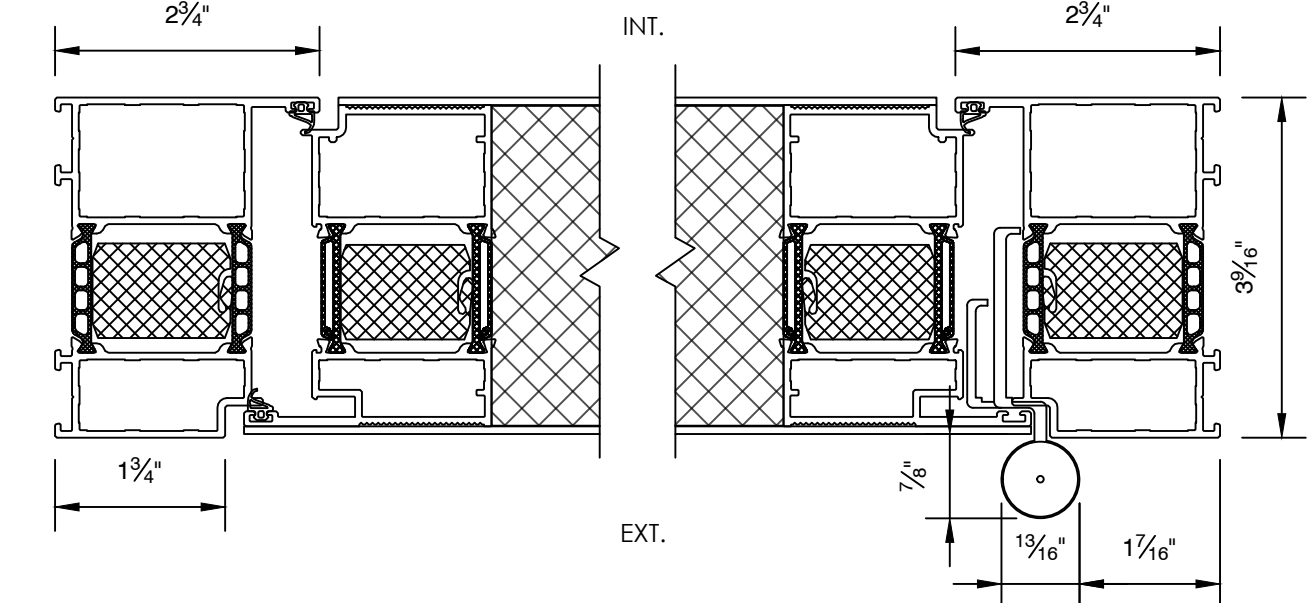
OUT-SWING SINGLE DOOR



(VIEW FROM EXTERIOR)

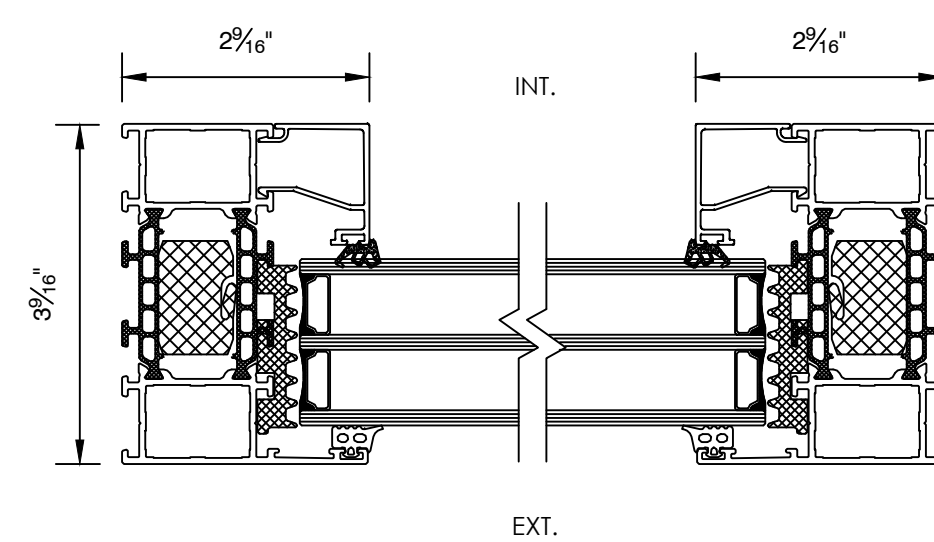
ELEVATION

SCALE: 1/2" = 1'-0"



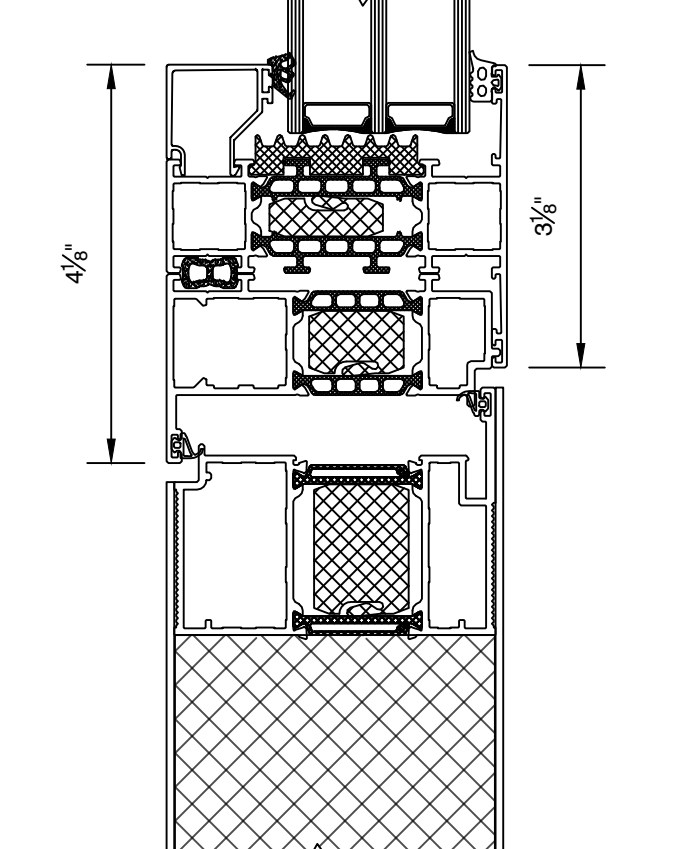
1 JAMB DETAIL

SCALE: 6" = 1'-0"



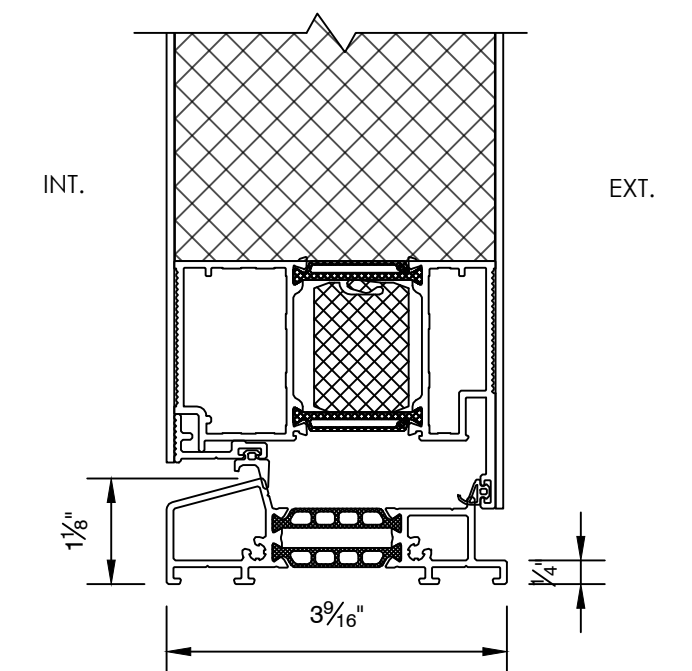
1 JAMB DETAIL

SCALE: 6" = 1'-0"



1 JAMB DETAIL

SCALE: 6" = 1'-0"



2 HEAD/THRESHOLD DETAIL

SCALE: 6" = 1'-0"